

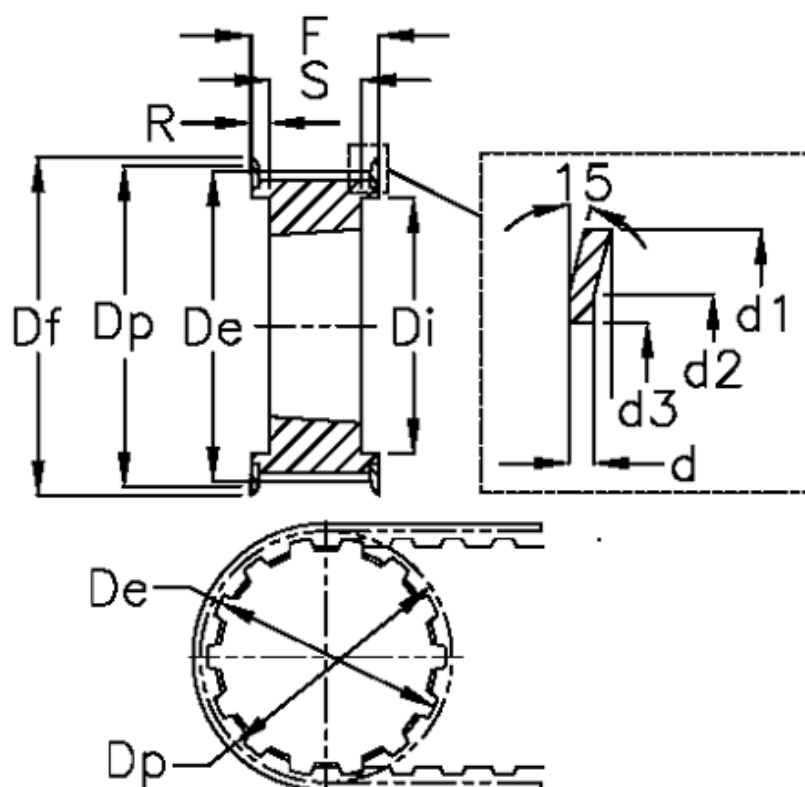
Data Sheet



Article number: 604133028115

Description: Taper bored timing belt pulley
HTD 28 14M 115 TL 2517

Measures



$d = 2.5$	F = 133	Weight = 3.77
$d1 = 128$	Flange type = F40	Width = 115
$d2 = 124$	For bushing = 2517	
$d3 = 107$	Max bore = 60	
$De = 122.12$	r = 44	
$Df = 128$	S = 45	
$Di = 98$	Tooth number = 28	
$Dp = 124.78$	Type = 14M	